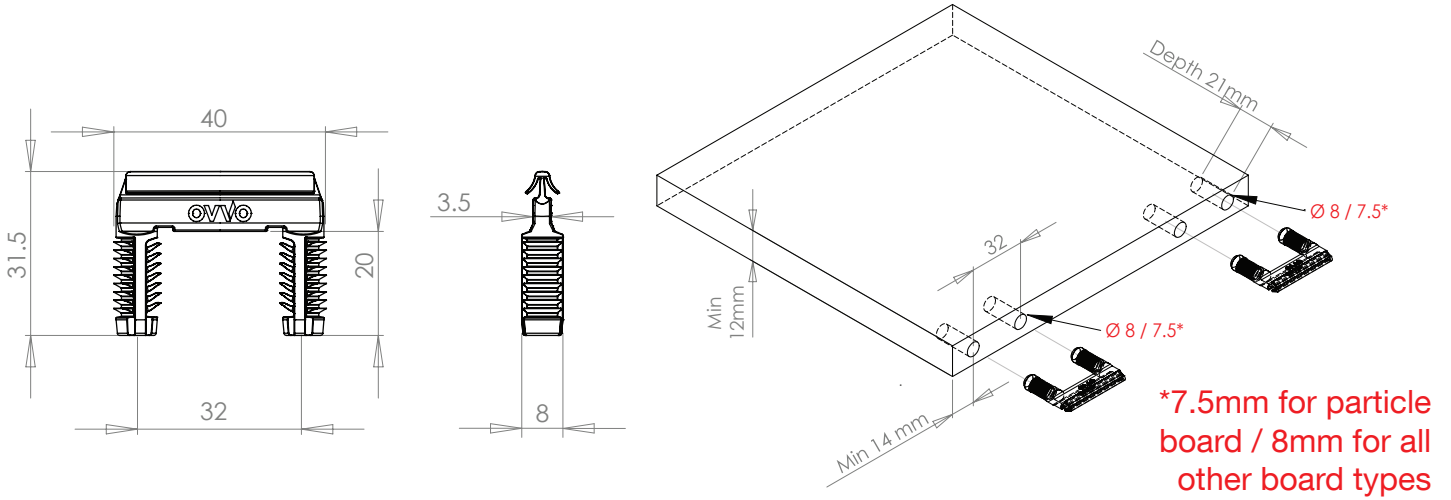


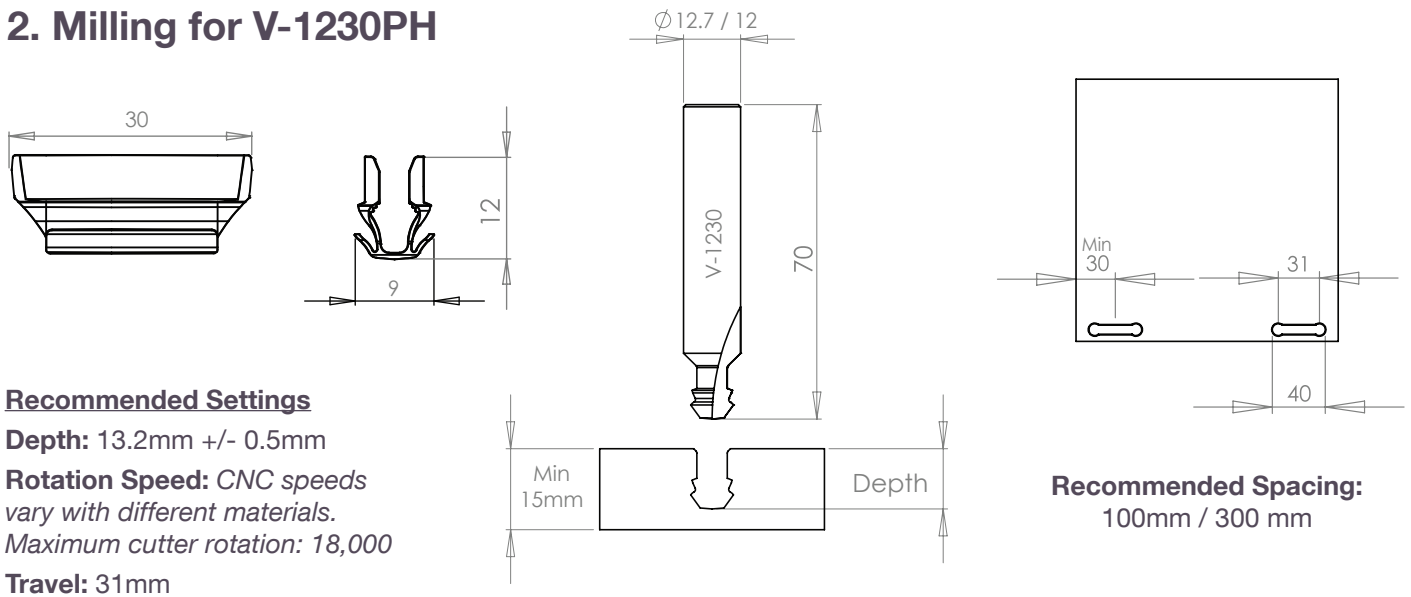
# V-1230PD-20 + V1230PH

## Instructions

### 1. Drilling for V-1230PD



### 2. Milling for V-1230PH



**Recommended Settings**  
**Depth:** 13.2mm +/- 0.5mm  
**Rotation Speed:** CNC speeds vary with different materials.  
**Maximum cutter rotation:** 18,000  
**Travel:** 31mm

### 3. Assembly

